

M12 PCB

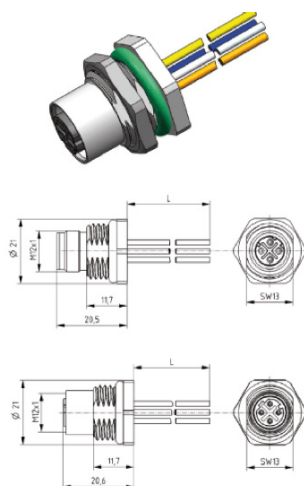
RAILWAY CONNECTORS

For easy handling on the PCB and compatability with wave soldering processes this range of front and rear bulkhead mounted M12 connectors provide an alternative PCB termination, offering increased PCBA positioning flexibility. The incorporated Wireclip has an integrated PCB retention feature to secure it in the PCB during the reflow process. Individual wires come stripped and pre-tinned ready for soldering.

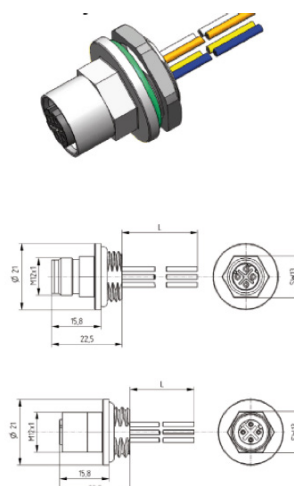
Technical Features

- Coding: A-Coding with 5 poles or 8 poles
D-Coding with 4 poles
- Standard wire length 80mm, custom lengths also available upon request
- Front and rear bulkhead mounted versions
- Integrated PCBA retention via pre assembled Wireclip
- Panel thickness: maximum 4mm
- Solid machined full metal body

Rear panel mount



Front panel mount



M12 PCB Connector

Railway Connectors

Selection Guide

Code	Part Number	Image	Cable Length 'L'	Description	No. Positions	Male	Female
D-Code	1-2823589-1		80mm	M12 D-Code Male front panel mount	4	x	
D-Code	1-2823589-2		80mm	M12 D-Code Female front panel mount	4		x
D-Code	1-2823589-3		80mm	M12 D-Code Male rear panel mount	4	x	
D-Code	1-2823589-4		80mm	M12 D-Code Female rear panel mount	4		x
A-Code	1-2823590-1		80mm	M12 A-Code Male front panel mount	5	x	
A-Code	1-2823590-2		80mm	M12 A-Code Female front panel mount	5		x
A-Code	1-2823590-3		80mm	M12 A-Code Male rear panel mount	5	x	
A-Code	1-2823590-4		80mm	M12 D-Code Female rear panel mount	5		x
A-Code	1-2823590-5		80mm	M12 A-Code Male front panel mount	8	x	
A-Code	1-2823590-6		80mm	M12 A-Code Female front panel mount	8		x
A-Code	1-2823590-7		80mm	M12 A-Code Male rear panel mount	8	x	
A-Code	1-2823590-8		80mm	M12 D-Code Female rear panel mount	8		x

